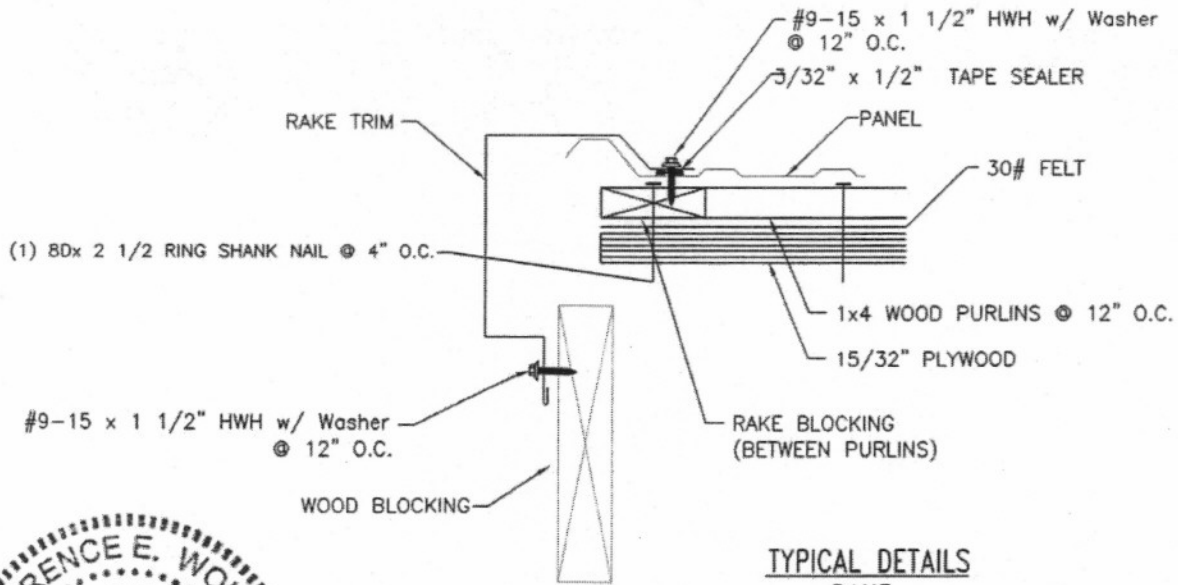
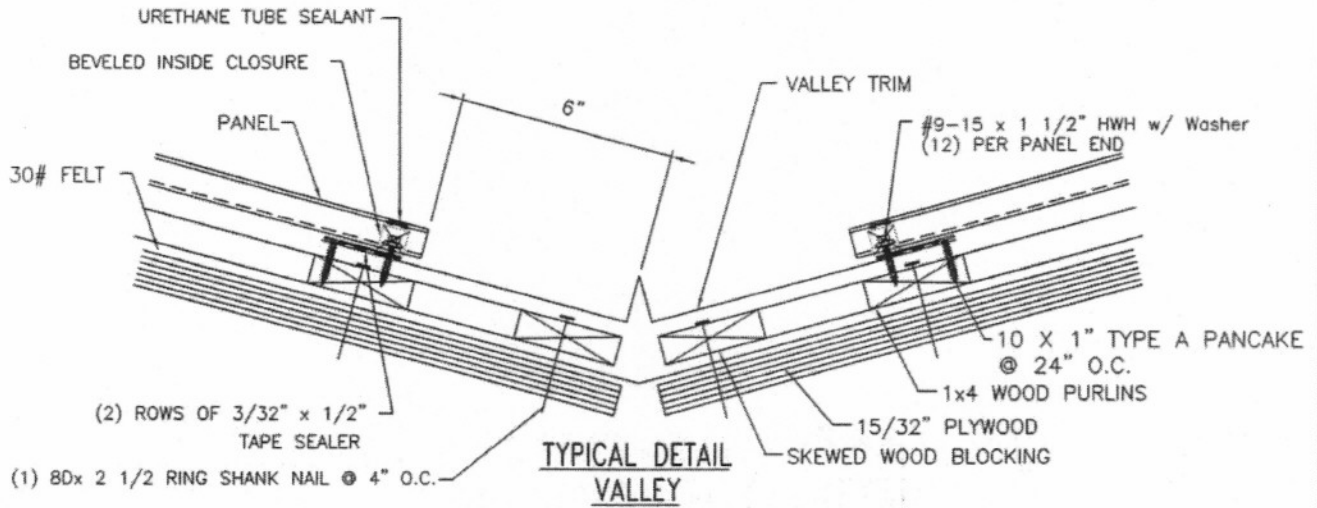


3/4" RIB TYPICAL DETAILS OVER 1x4 WOOD PURLINS

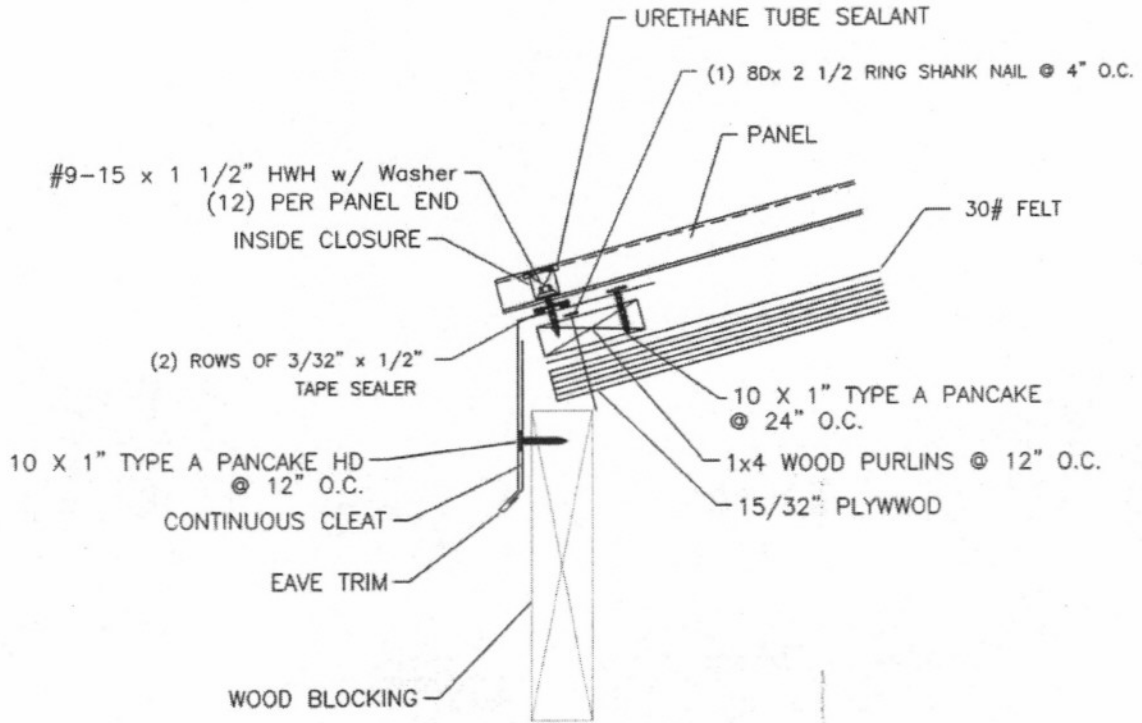


State of Florida  
C.O.A.  
# 26778

JAN 24 2012

|         |      |
|---------|------|
| JOB NO: | ---- |
| DWG NO: | D1   |
| REV NO: | 0    |

3/4" RIB TYPICAL DETAILS OVER 1x4 WOOD PURLINS



TYPICAL DETAILS  
EAVE

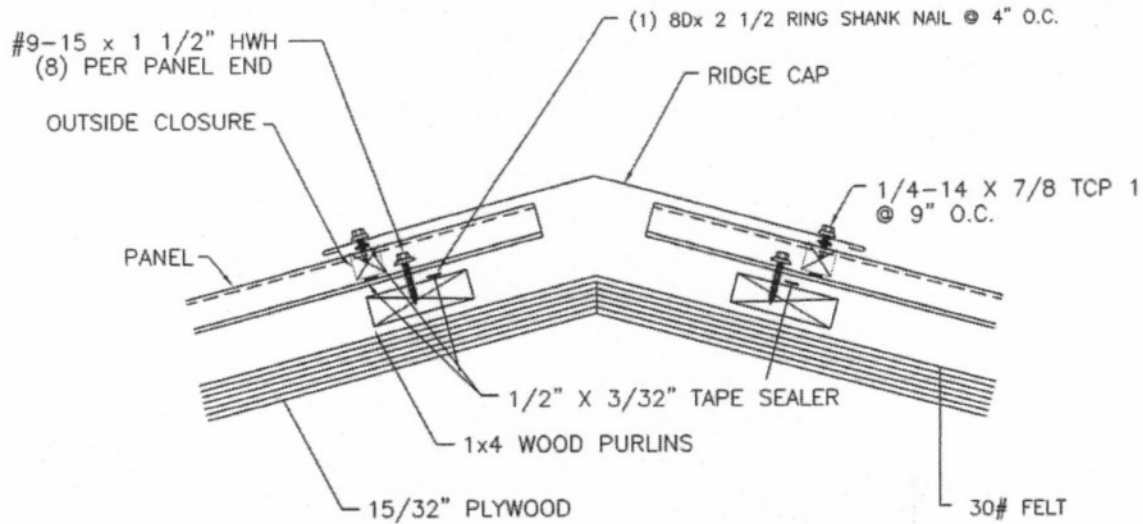
State of Florida  
C.O.A.  
# 26778



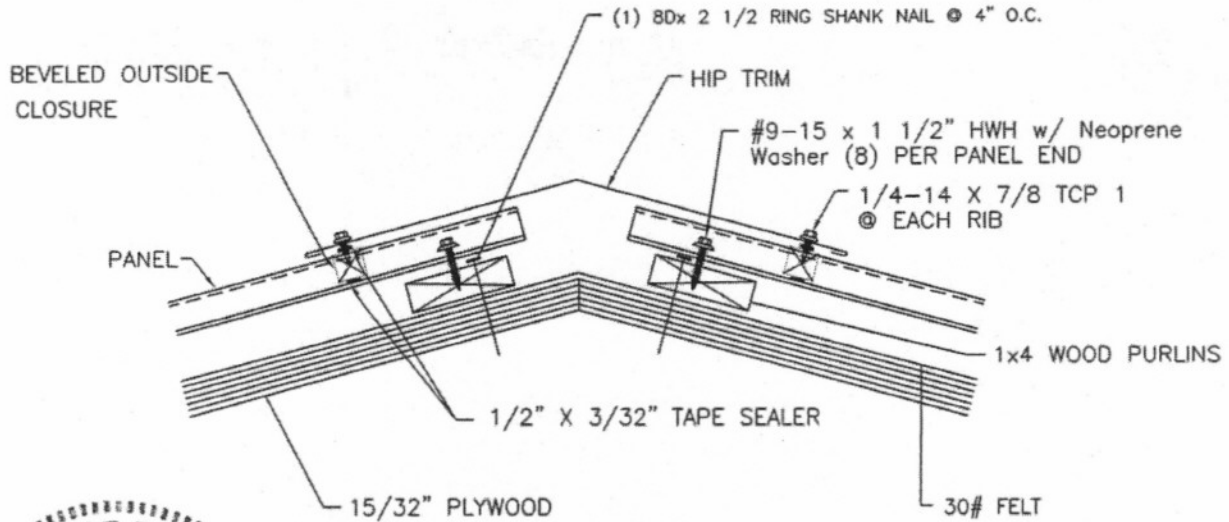
JAN 24 2012

|         |      |
|---------|------|
| JOB NO: | ---- |
| DWG NO: | D2   |
| REV NO: | 0    |

3/4" RIB TYPICAL DETAILS OVER 1x4 WOOD PURLINS



TYPICAL DETAILS  
RIDGE



TYPICAL DETAILS  
HIP

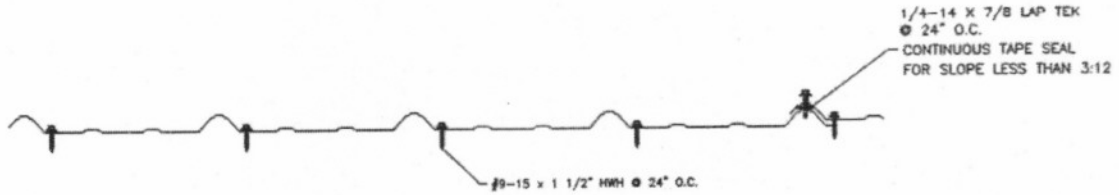


State of Florida  
C.O.A.  
# 26778

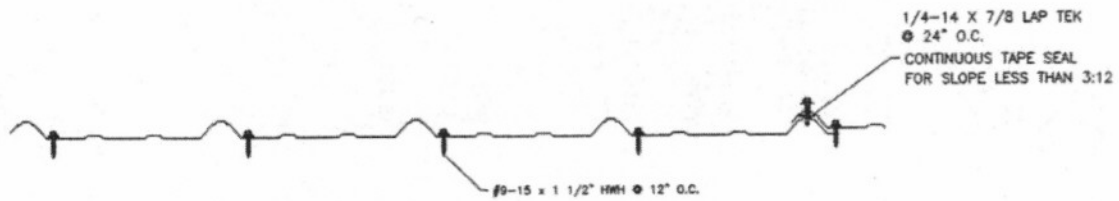
JAN 24 2012

|         |     |
|---------|-----|
| JOB NO: | --- |
| DWG NO: | D3  |
| REV NO: | 0   |

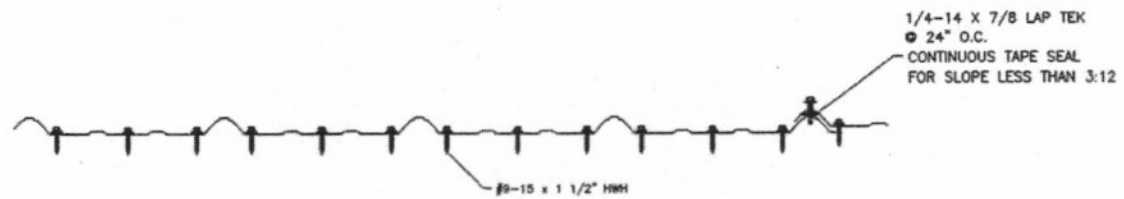
3/4" RIB TYPICAL DETAILS OVER 1x4 WOOD PURLINS



TYPE 1 FASTENER PATTERN



TYPE 2 FASTENER PATTERN



FASTENER PATTERN AT EAVE & VALLEY



State of Florida  
C.O.A.  
# 26778

JAN 24 2012

|         |      |
|---------|------|
| JOB NO: | ---- |
| DWG NO: | D4   |
| REV NO: | 0    |