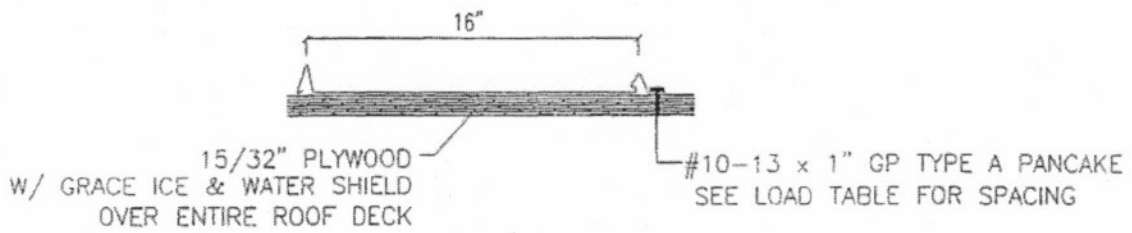
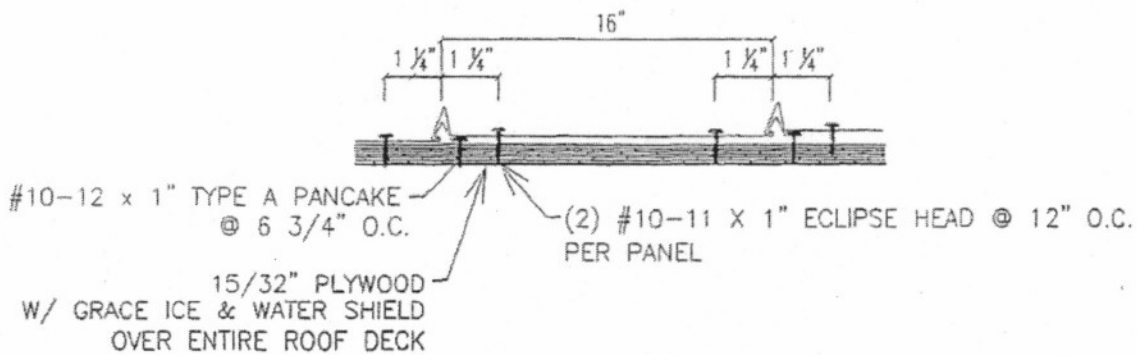




TYPE 1 FASTENER PATTERN (SEE LOAD TABLE)



TYPE 2 FASTENER PATTERN (SEE LOAD TABLE)



JAN 24 2012